



# DSA Walk-Trot (Introductory Level) Test 1

(Effective 1/1/2024)

### PURPOSE

To introduce the rider and/or horse to the sport of dressage, confirming that they are beginning to develop an understanding of correct dressage basics. The horse should be ridden freely forward in a steady tempo and clear rhythm, accepting contact with the bit. An understanding of test accuracy and geometry should be demonstrated.

### REQUIREMENTS:

- Free walk
- Medium walk
- Working trot rising
- 20 metre circle
- Halt through walk

READER PLEASE NOTE: Anything in parentheses should not be read.

### INSTRUCTION:

- All trot work to be ridden Rising. Transitions from walk to trot and trot to walk may be performed through sitting trot with the objective of performing a smooth transition.
- Turns from centre line to long side and long side to centre line should be ridden as a half circle, touching the track at a point midway between the centre line and the corner, and vice versa.

### COMMENT:

Horses should be ridden on a light but steady contact, with the exception of the free walk in which the horse is allowed complete freedom to stretch neck forward and downward.

BRIDLE NO:

### Conditions:

ARENA SIZE: 60m x 20m (Standard)  
40m x 20m (Small)

AVERAGE RIDE TIME: 5:00 (Std.) or 4:00 (small)  
(Possibly longer for schooling shows)

### ADULTS AND JUNIORS:

- To be ridden in a snaffle
- Whip and /or spurs are permitted

### PONY RIDERS AND CHILDREN:

- Snaffle OR Pelham with Rein Connectors and Cavesson Noseband
- Whip permitted
- No Spurs permitted

MAXIMUM PTS: 160

Horse

Rider

Date

Event

Judge

Position

TEST		DIRECTIVE IDEAS	POINTS	COEF	TOTAL	REMARKS
1.	A Between X & C	Enter, working trot rising Medium walk	Regularity, quality of trot; straightness, willing, calm transition. Regularity, quality, of walk			
2.	C M	Track right Working trot rising	Bend and balance; willing, calm transition			
3.	A	Circle right 20 metres, working trot rising	Regularity; shape and size of circle; bend; balance			
4.	K-X-M	Change rein, working trot rising	Regularity of trot; straightness; bend and balance in corner			
5.	C	Circle left 20 metres, working trot rising	Regularity; shape and size of circle; bend; balance			
6.	Between C & H	Medium walk	Willing, calm transition; regularity, quality			
7.	H-X-F	Free walk	Regularity, reach and ground cover with over track of free walk allowing complete freedom to stretch the neck forward and downward			
8.	F-A A	Medium walk Down centre line	Regularity, quality, willing, calm transition, bend and balance in turn Straightness on centre line.			
9.	X	Halt and salute	Straightness; attentiveness; immobility (min. 3 seconds)			

Leave arena in free walk. Exit at A.



## DSA Walk-Trot (Introductory Level) Test 1 (page 2)



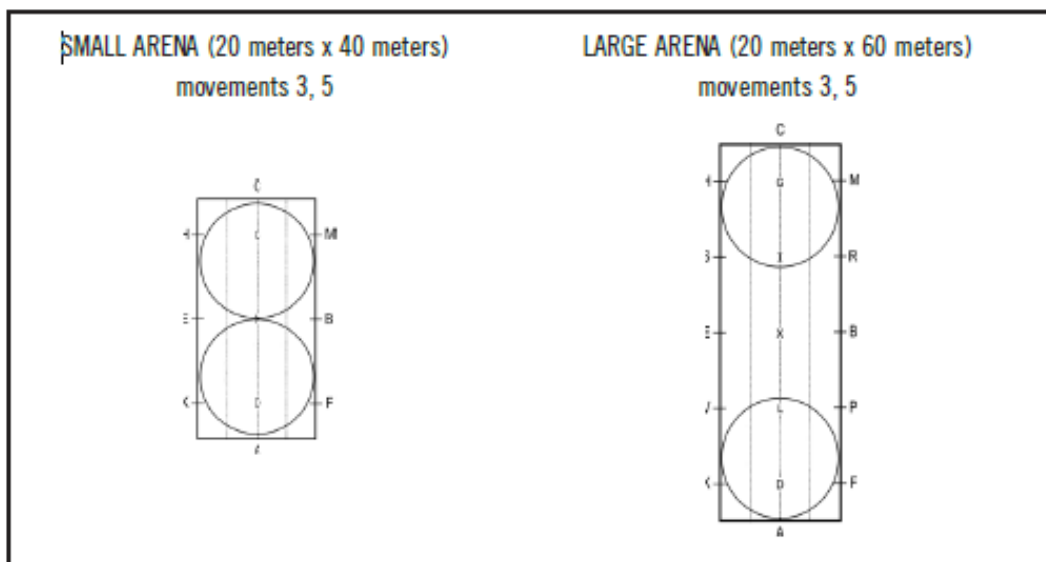
### COLLECTIVE MARKS

<b>PACES</b> (Freedom and regularity)		1		
<b>IMPULSION</b> (desire to move forward with suppleness of the back and steady tempo)		1		
<b>SUBMISSION</b> (acceptance of steady contact, attention, and confidence)		2		
<b>RIDER'S POSITION</b> (keeping in balance with horse)		1		
<b>RIDER'S EFFECTIVENESS OF AIDS</b> (correct bend and preparation of transitions)		1		
<b>GEOMETRY AND ACCURACY</b> (correct size and shape of circles and turns).		1		

**FURTHER REMARKS:**

<b>To be deducted</b>	<b>SUBTOTAL:</b>
Errors of the course and omissions are penalized	<b>ERRORS:</b> (-            )
1st Time = 2 points	<b>TOTAL POINTS:</b>
2nd Time = 4 points	(Max Points: 160)
3rd Time = Elimination	<b>TOTAL PERCENTAGE:</b>



**JUDGE'S SIGNATURE** \_\_\_\_\_